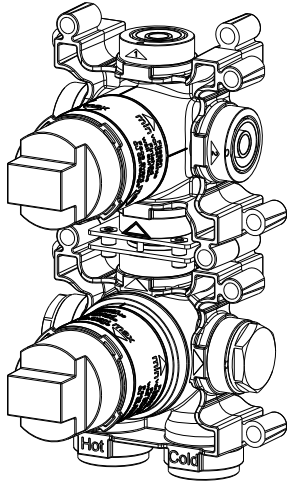


HBAC009 - HBAC039 HBAC071 - HBAC072

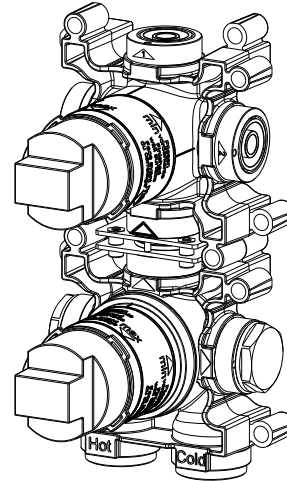
hotbath
italian bathroomware

Concealed thermomixers
Termostatici da incasso
Mitigeurs thermostatique encastrés
UP-Thermostatmischer
Termostáticos empotrados
Inbouw thermostaatkranen

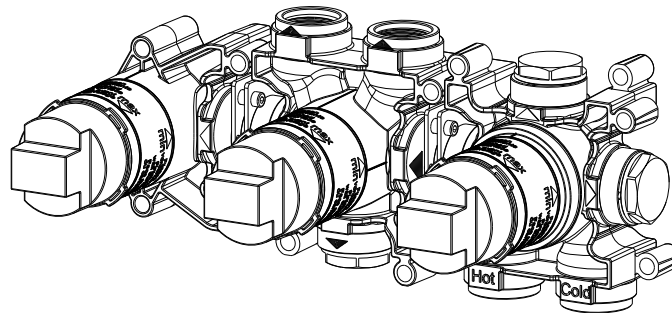
HBAC009



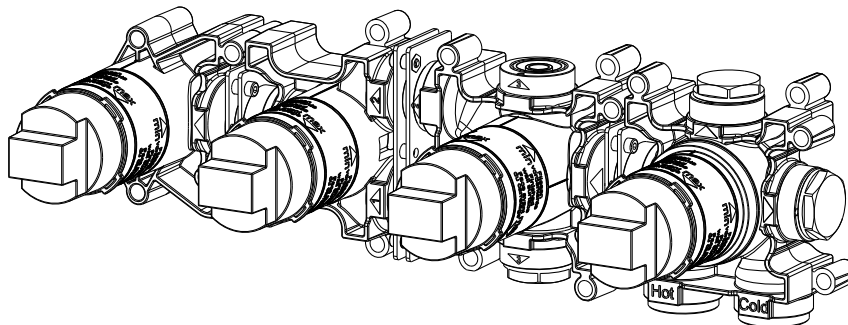
HBAC039







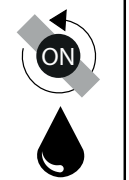






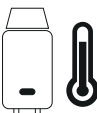



HBAC071



HBAC072



BEFORE STARTING / PRIMA DI INIZIARE / AVANT DE COMMENCER / ANTES DE EMPEZAR / VOR DEM START / VOORDAT JE BEGINT

 <p>P bar</p>	<p>MAX 5</p>  <p>1 MIN</p>	<p>3</p>  		<p>15s</p> 		<p>RECOMMENDED: BALANCED PRESSURES</p>   <p>bar</p>   <p>bar</p>
 <p>T °C</p>	<p>MAX 80</p> 	<p>60 45</p>  				

PRESSURE RANGE MIN/MAX 0,5/5 BAR
(IN CASE OF WATER PRESSURE HIGHER THAN 5 BAR WE RECOMMEND
TO INSTALL PRESSURE REDUCERS).
RECOMMENDED PRESSURE 3 BAR.

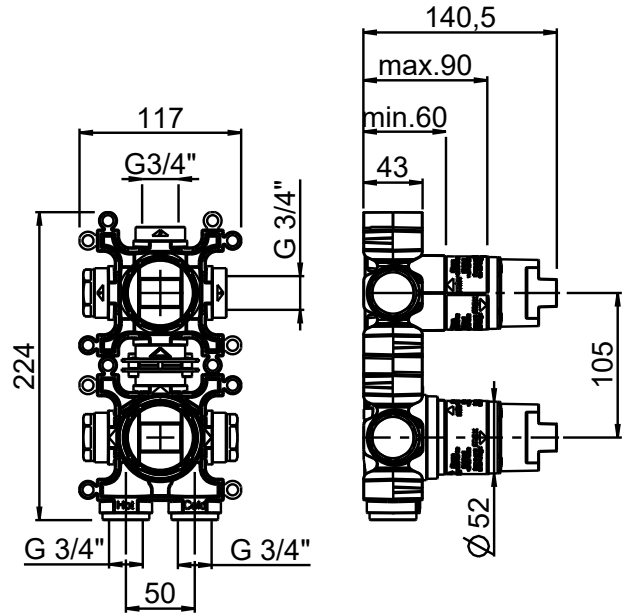
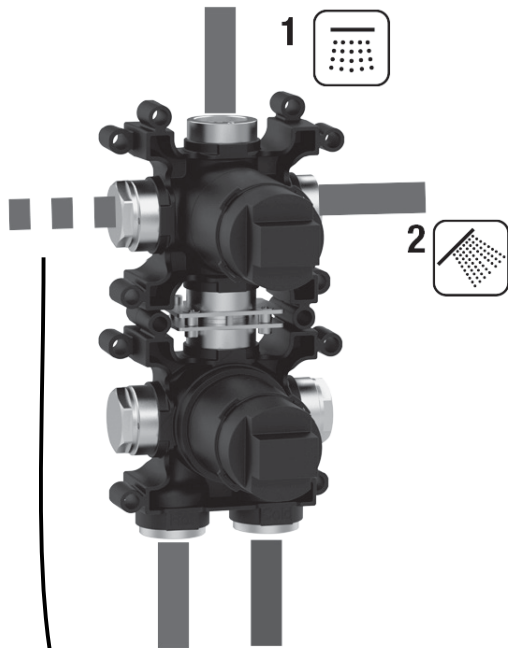
OPERATION:
EITHER WITH GAS OR ELECTRIC ACCUMULATION BOILERS OR
CENTRALISED SYSTEMS.

SAFETY LOCK AT:	38° C
MIN. WORKING TEMPERATURE:	3° C
MIN. RECOMMENDED:	15° C
MAX. WORKING TEMPERATURE:	70° C
MAX. RECOMMENDED:	65° C
RECOMMENDED THERMAL DIFFERENTIAL	50° C

THERMAL DISINFECTION IS ALLOWED.

SAFETY SYSTEM WITH FLOW STOP IN CASE OF LACK OF ONE OF THE TWO
WATERS.

AC009



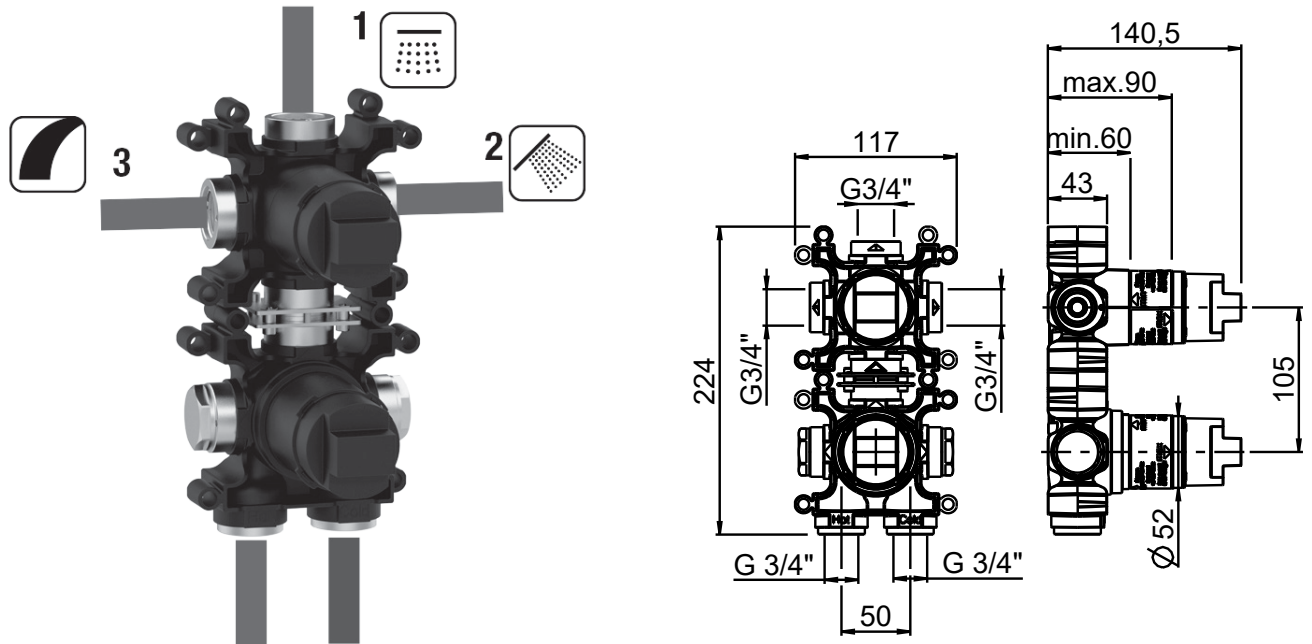
(Alternative outlet 2)



Plug supplied in box

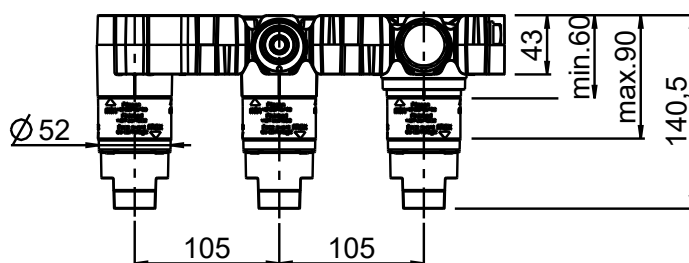
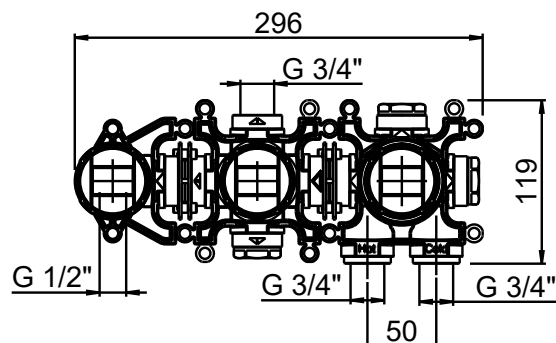
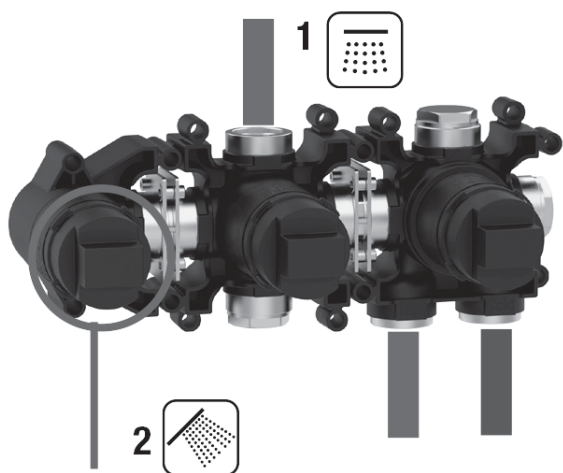
AC009			
PRESSURE	FLOW RATE L/min.		
	EXIT 1	EXIT 2	
BAR			
0.5	10.2	10	
1	14.4	14.2	
2	20.6	20.3	
3	25.2	24.9	
4	29.1	28.7	
5	32.5	31.9	

AC039



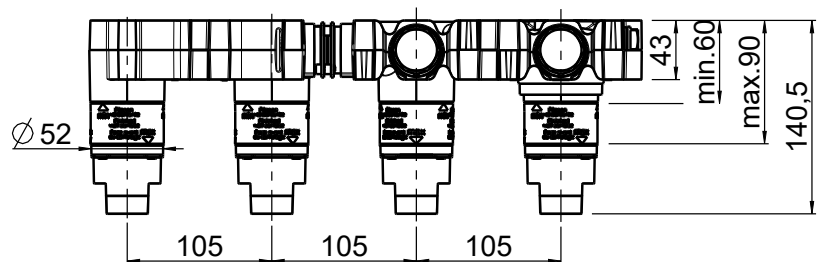
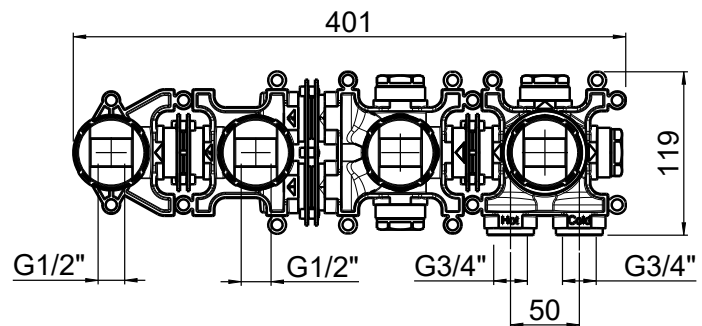
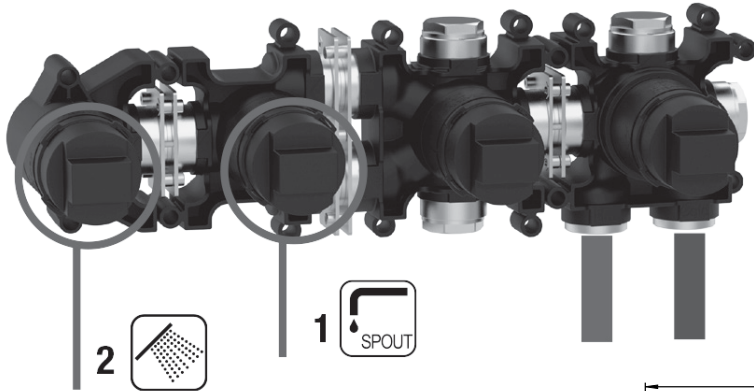
AC039			
PRESSURE	FLOW RATE L/min.		
BAR	EXIT 1	EXIT 2	EXIT 3
0.5	10	10	9.7
1	13.6	13.7	13.4
2	19.2	19.5	19
3	23.4	23.8	23.3
4	27	27.5	26.8
5	30	30.5	29.8

AC071

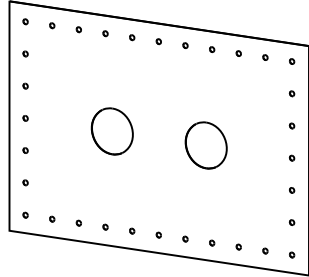
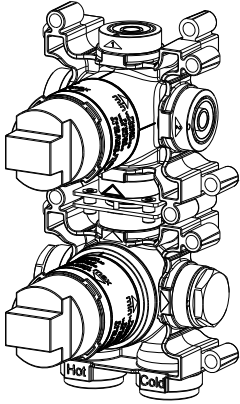


AC071			
PRESSURE	FLOW RATE L/min.		
BAR	EXIT 1	EXIT 2 HAND SHOWER	
0.5	10.2	4.2	
1	14.4	6	
2	20.6	8.5	
3	25.2	10.7	
4	29.1	12.3	
5	32.5	13.8	

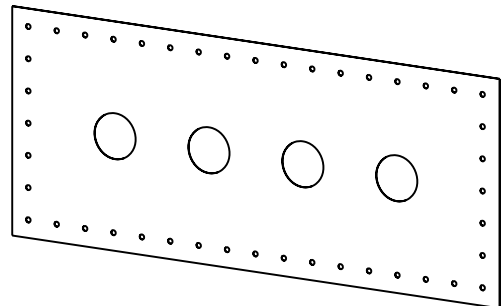
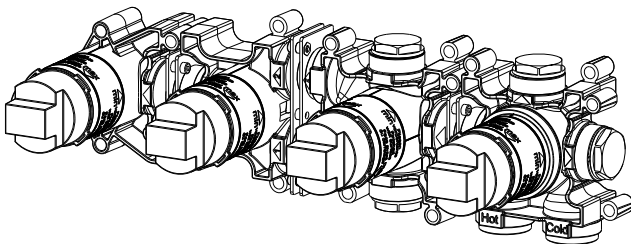
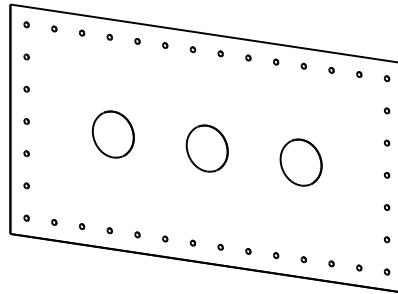
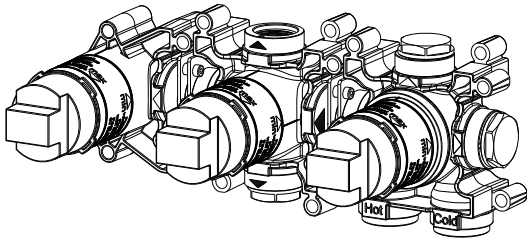
AC072



AC072			
PRESSURE	FLOW RATE L/min.		
BAR	EXIT 1 BATH SPOUT	EXIT 2 HAND SHOWER	
0.5	8	4.1	
1	11.7	6	
2	17	8.5	
3	21	10.6	
4	24	12.3	
5	26.7	13.8	



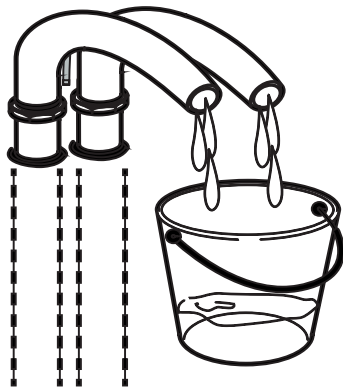
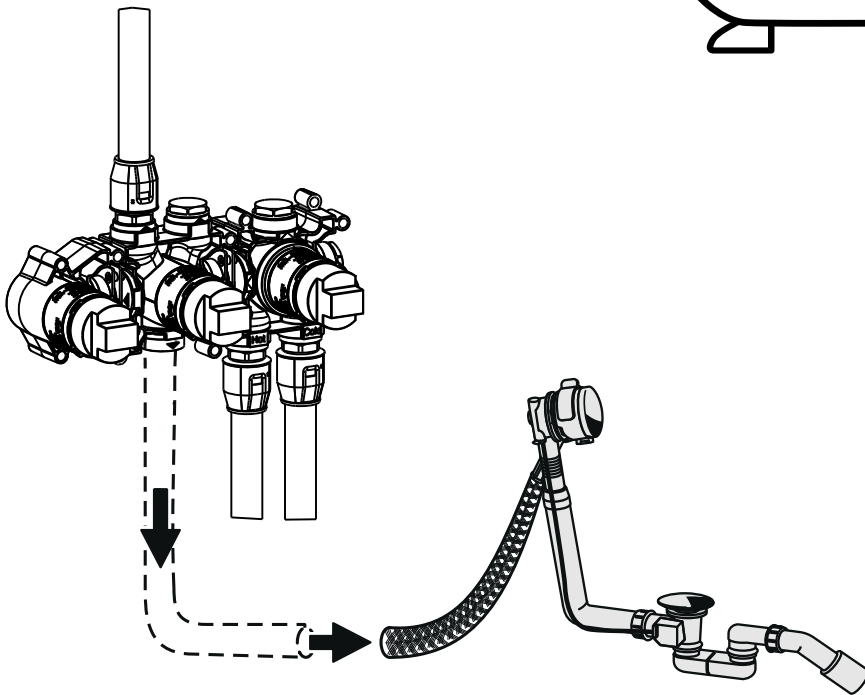
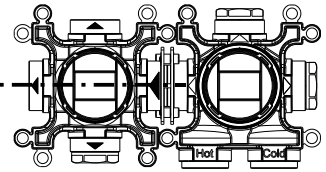
Plug for alternative
outlet 2
(see page 2)



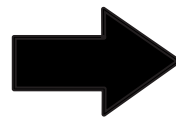
* 250 MM MINIMUM INSTALLATION HEIGHT
TO PREVENT BACKFLOW



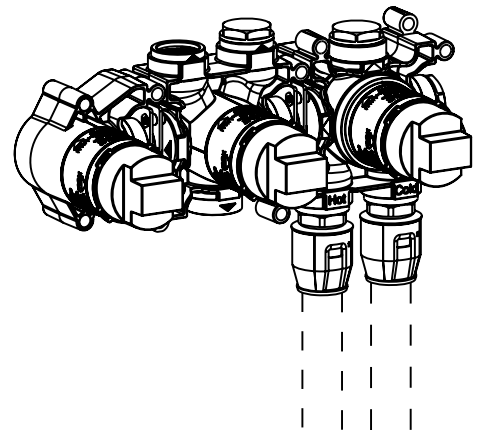
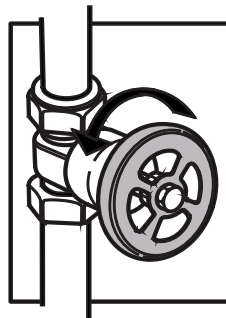
MIN. 250* MM

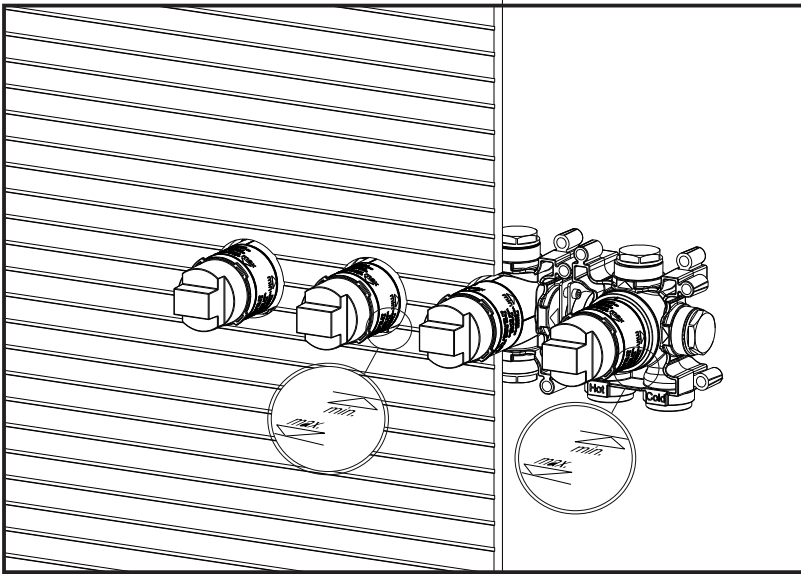


1°

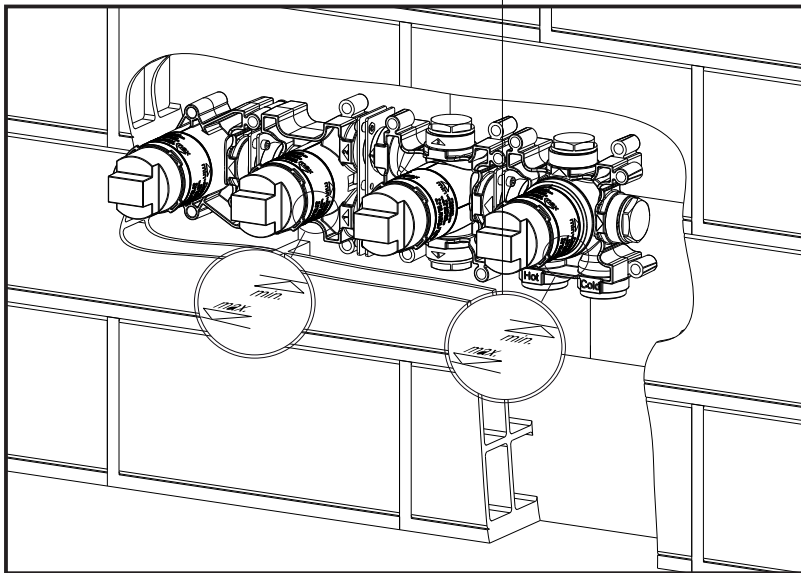
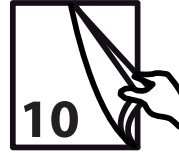


2°

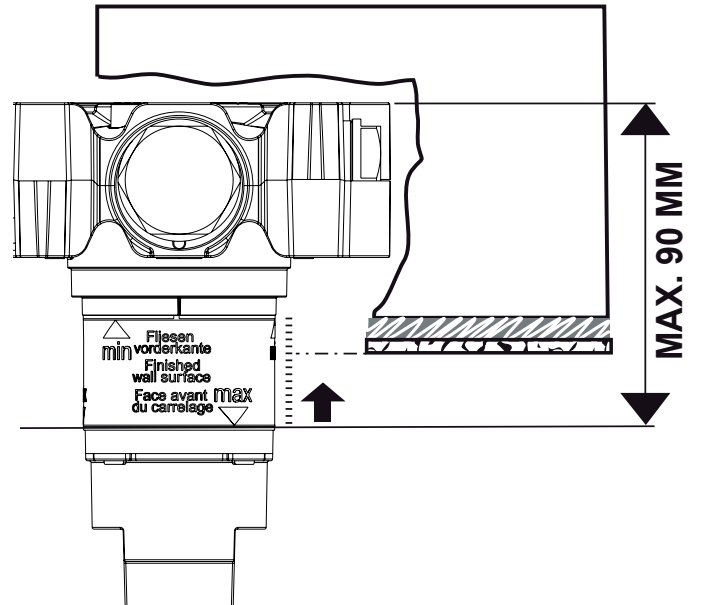
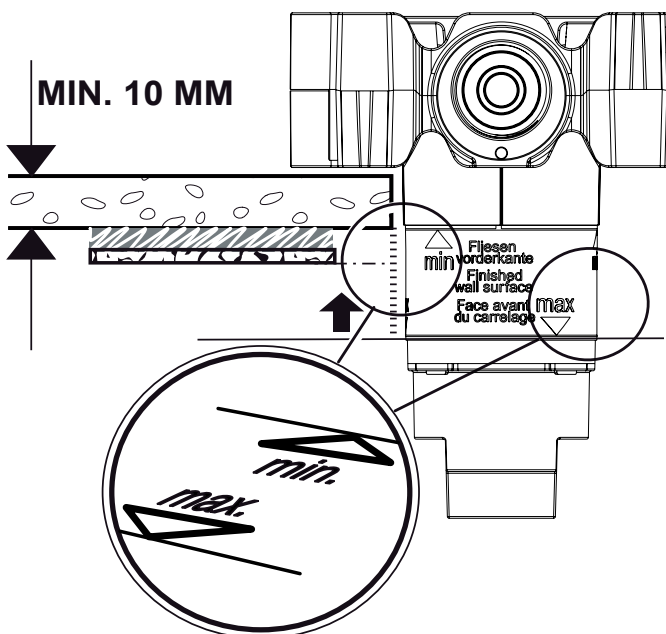


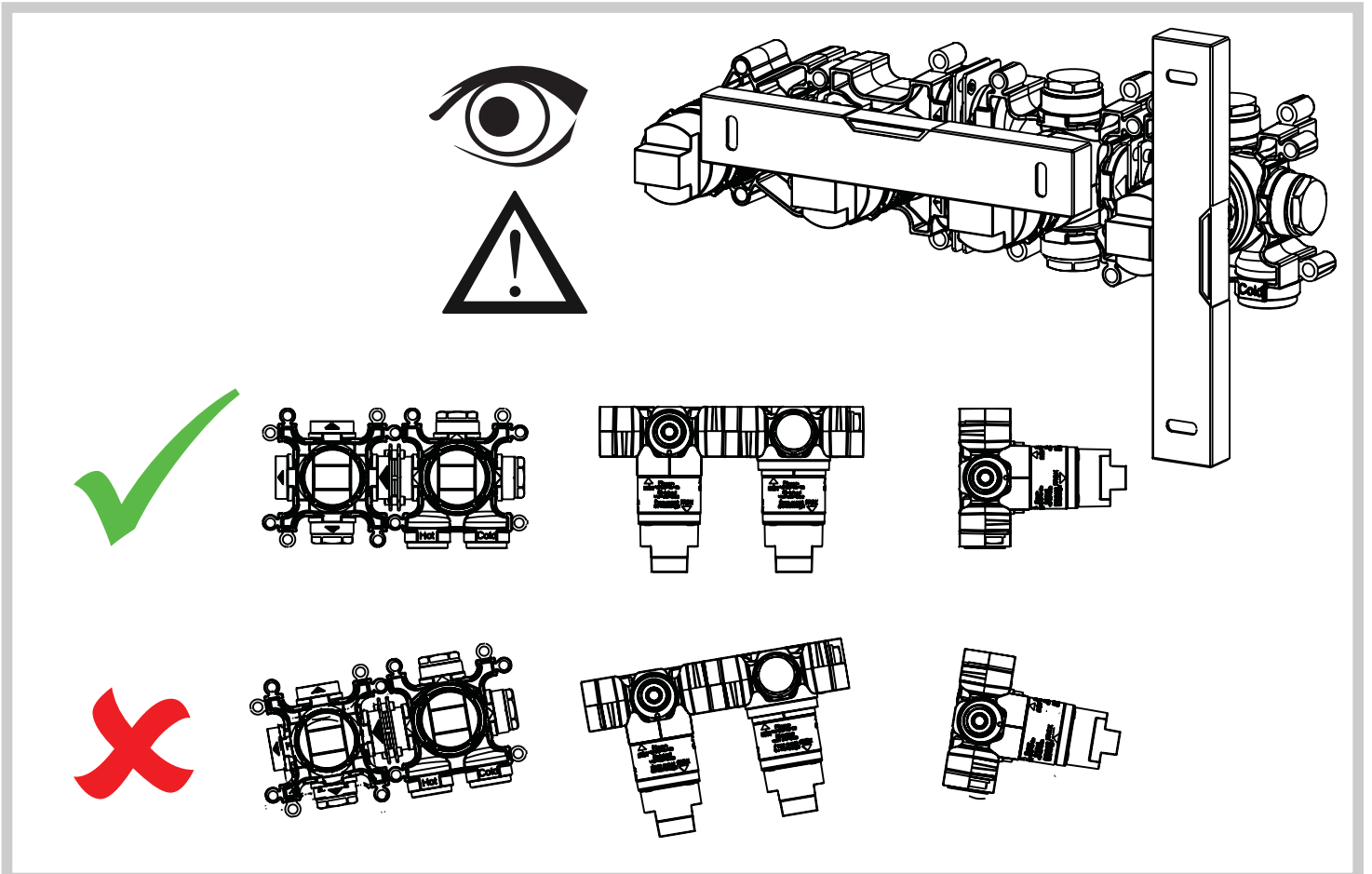
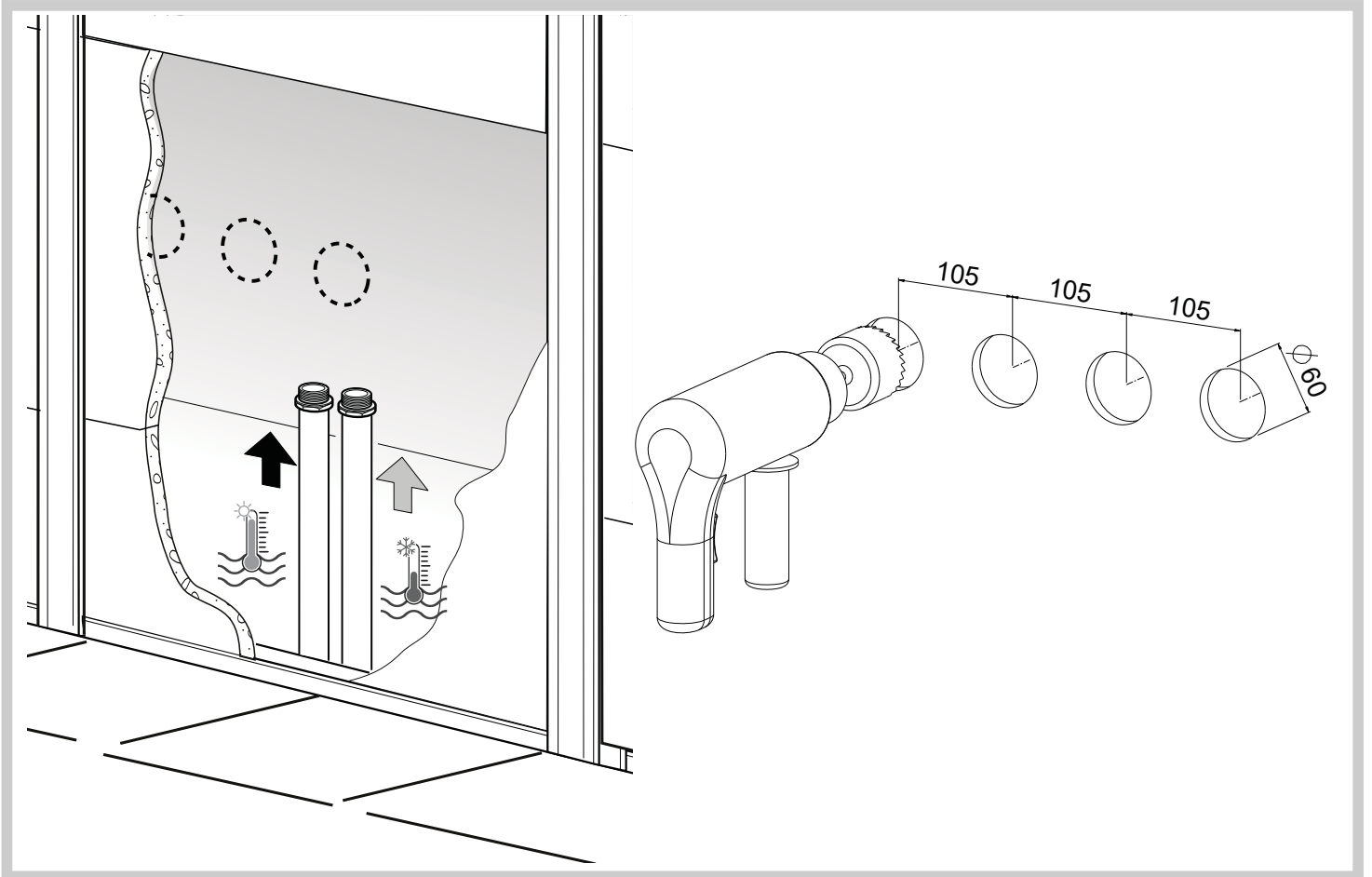


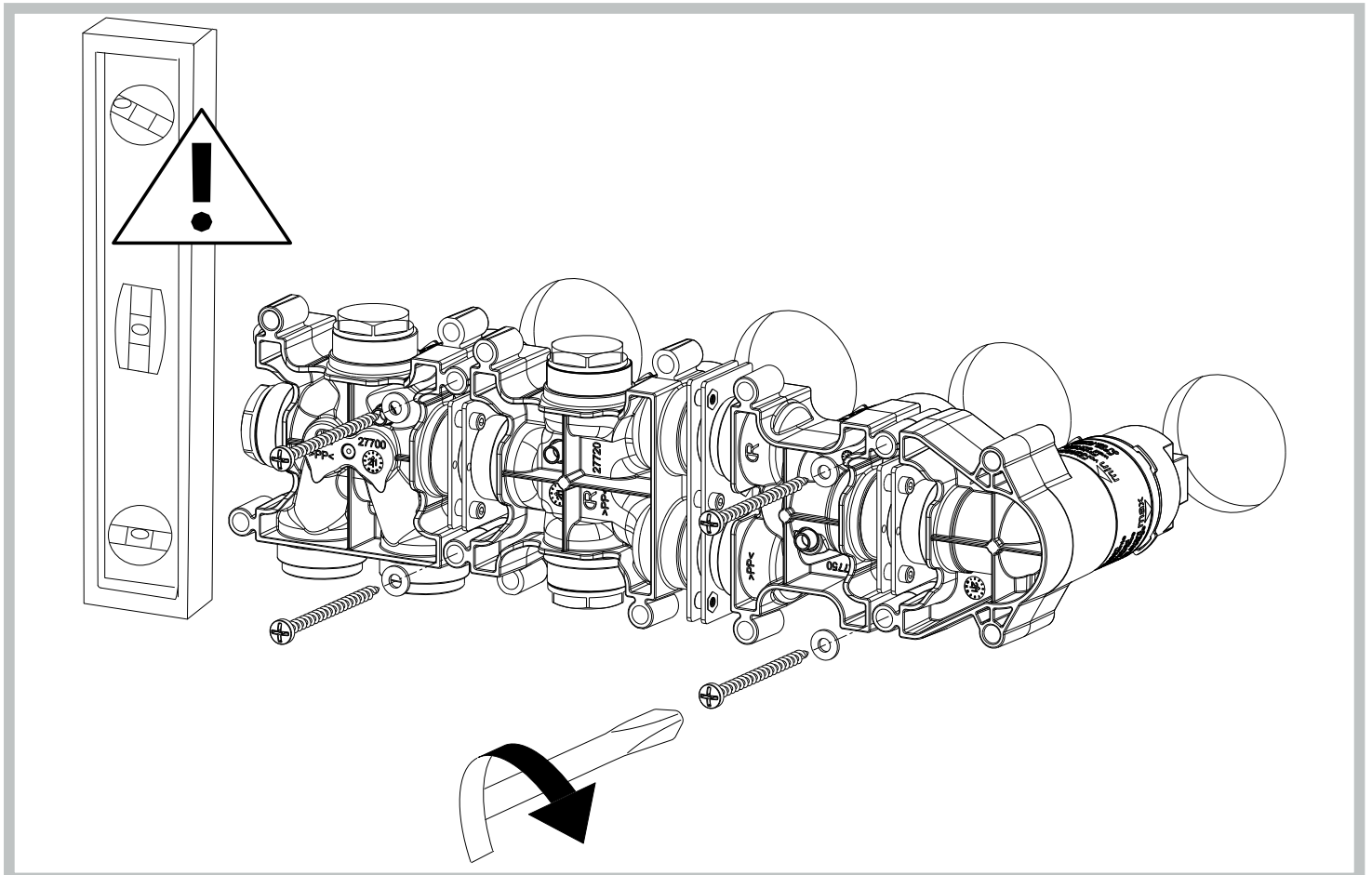
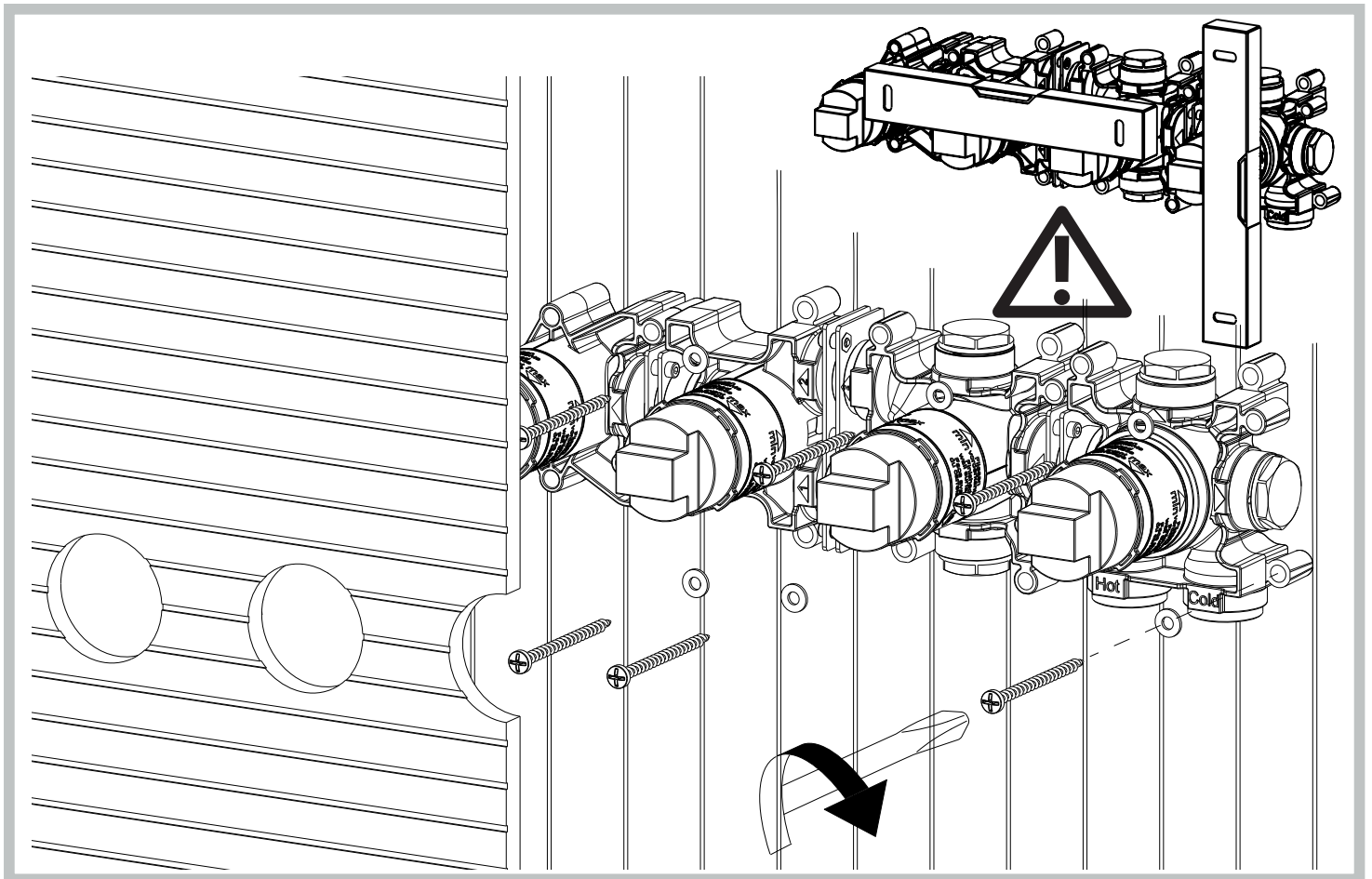
MOUNTING ON
PLASTERBOARD WALL

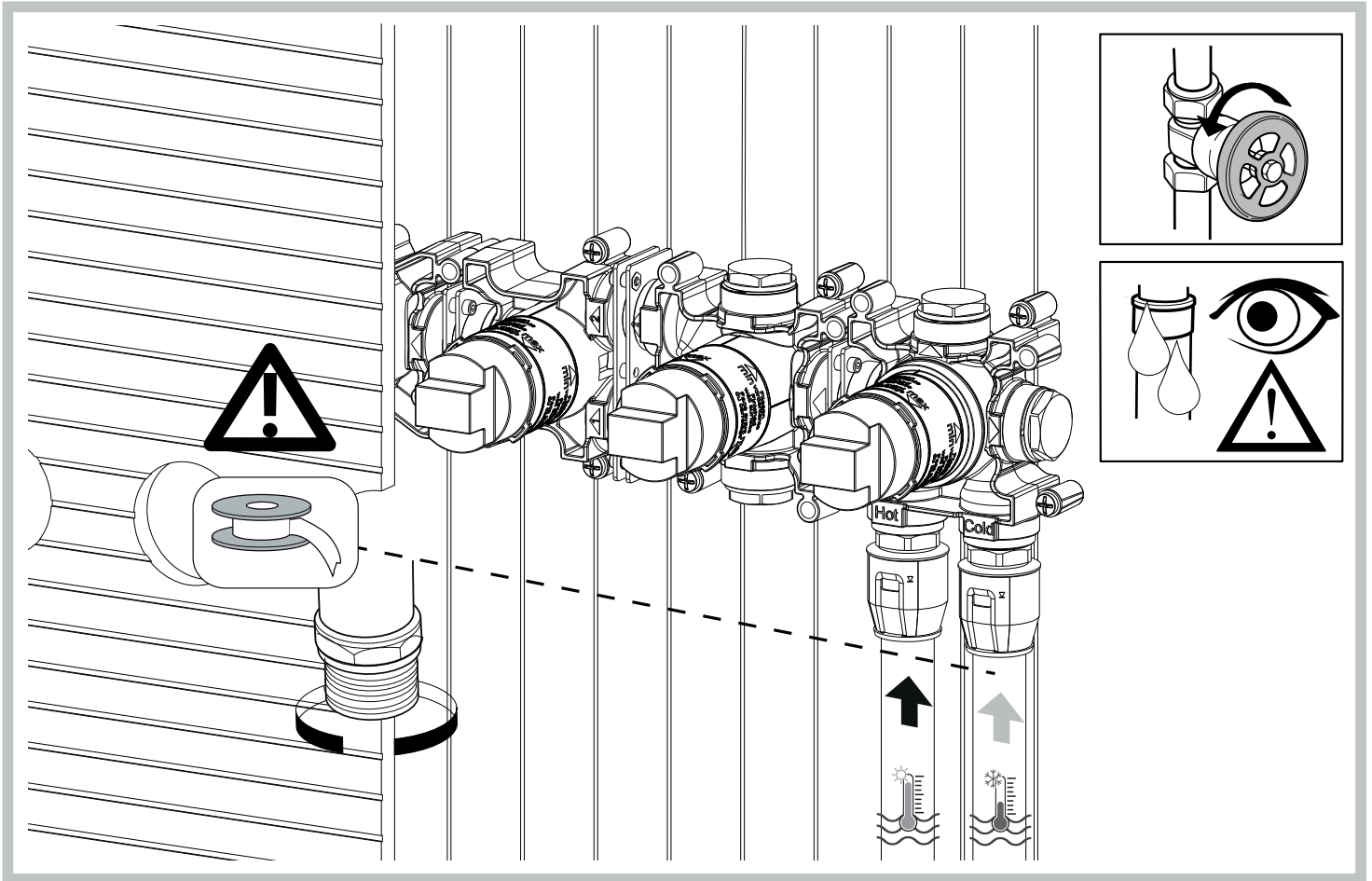


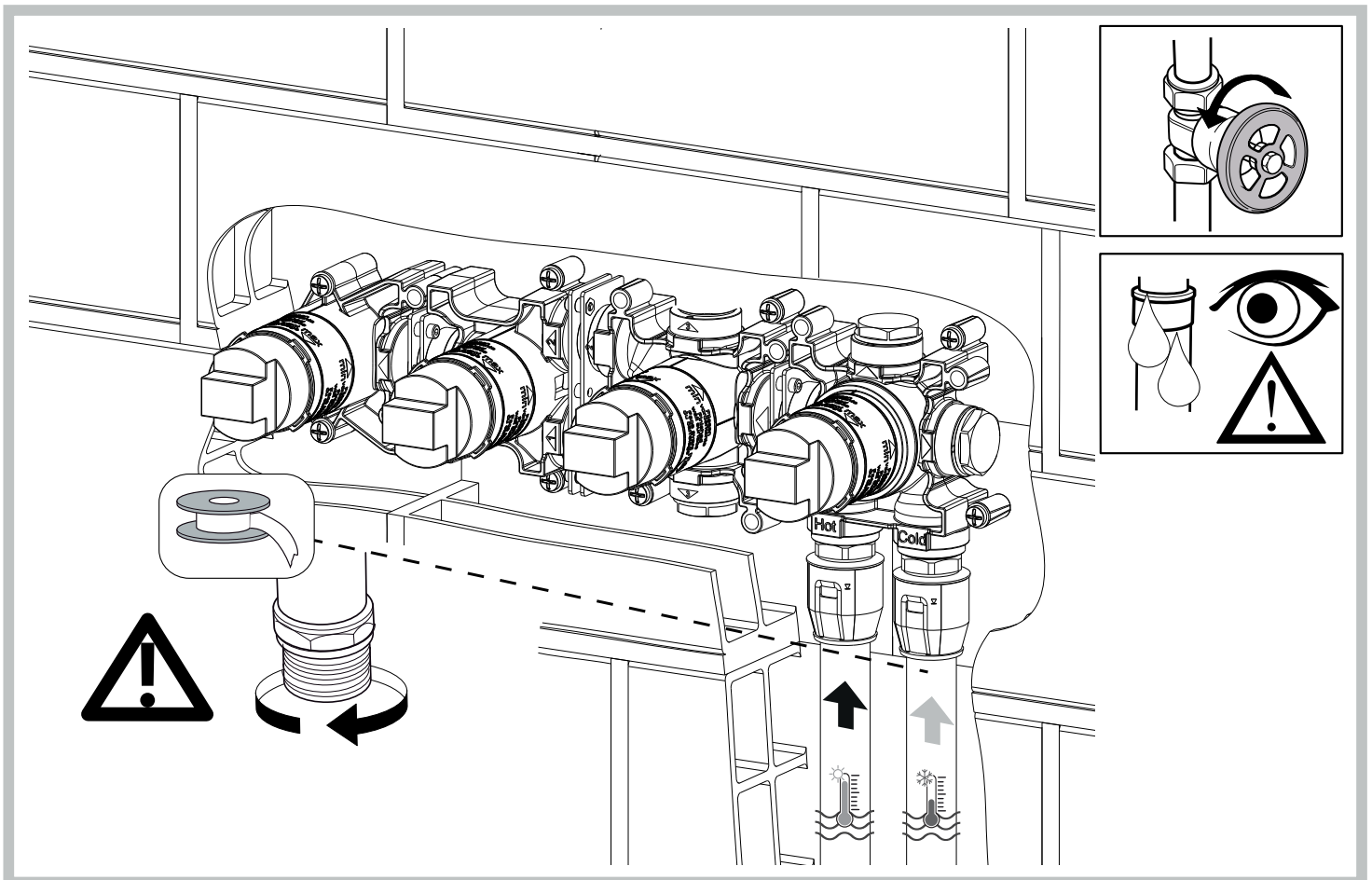
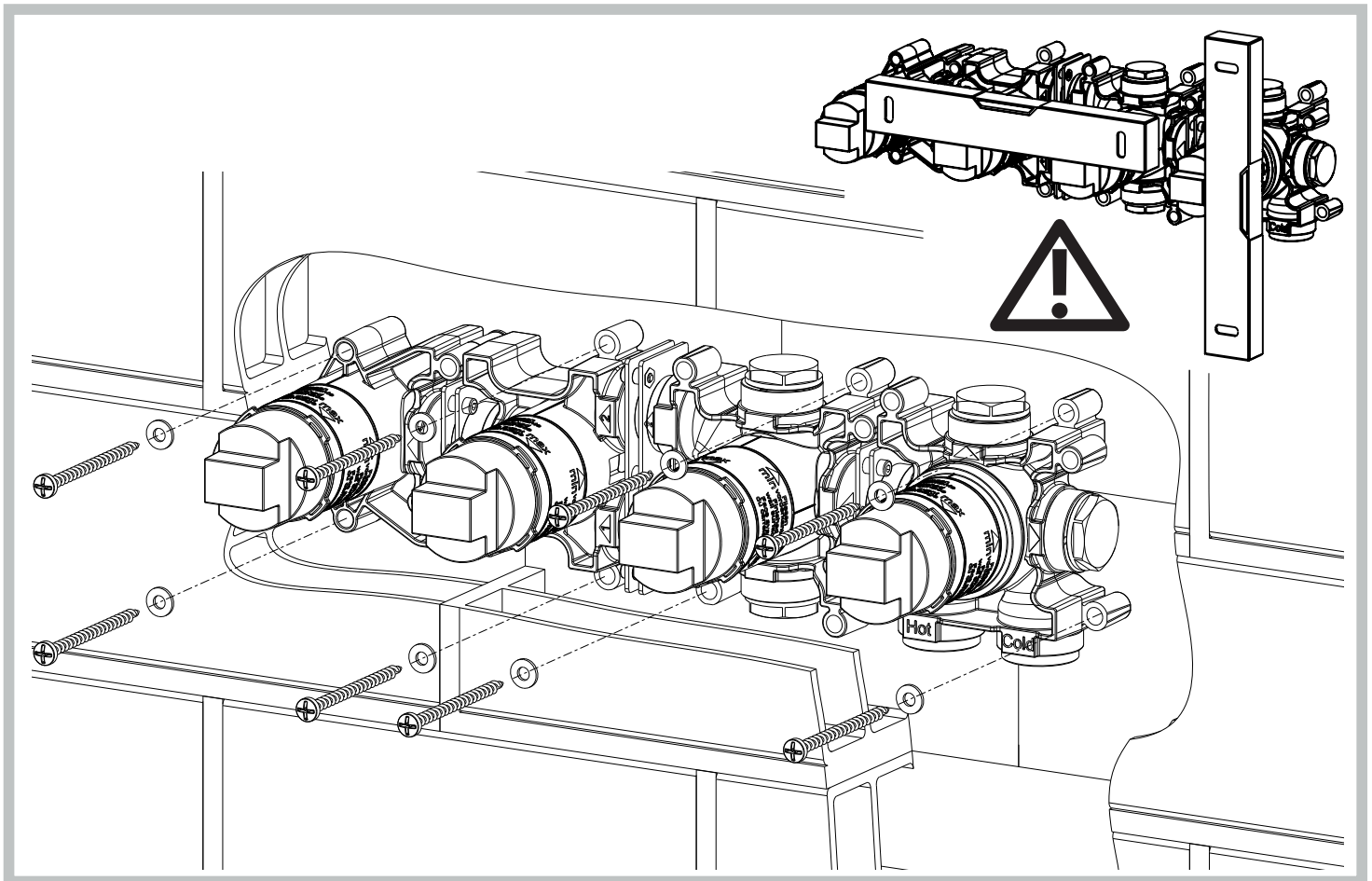
SOLID WALL MOUNTING



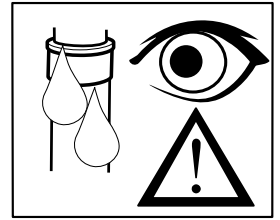
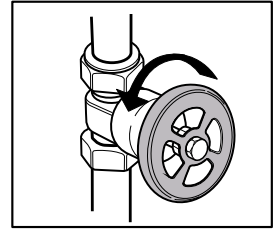
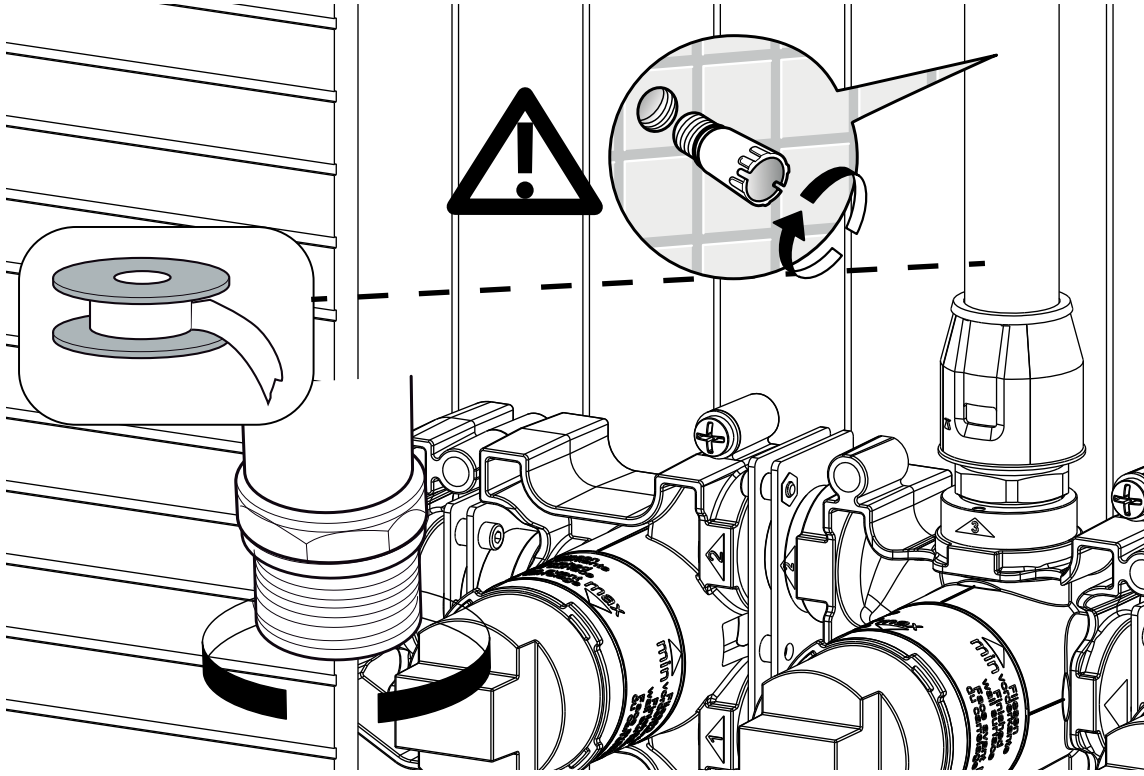


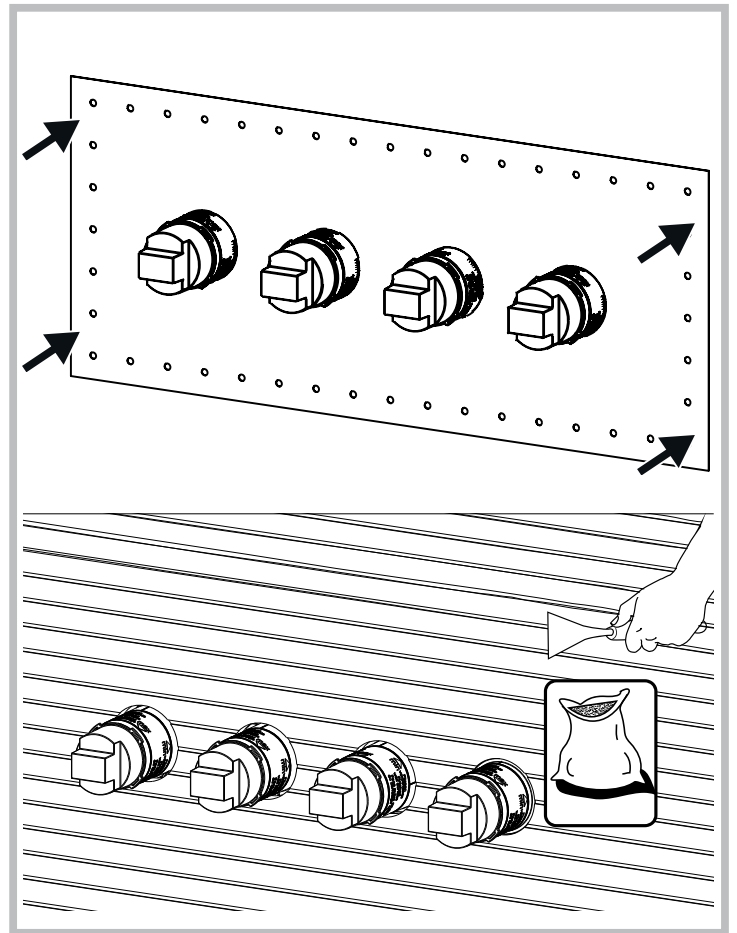
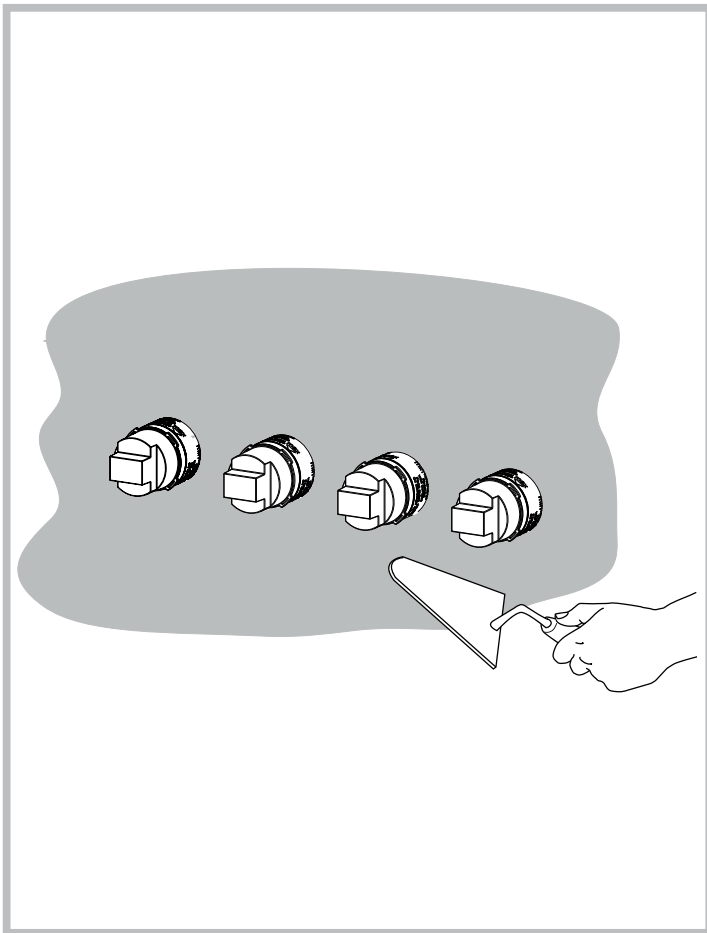






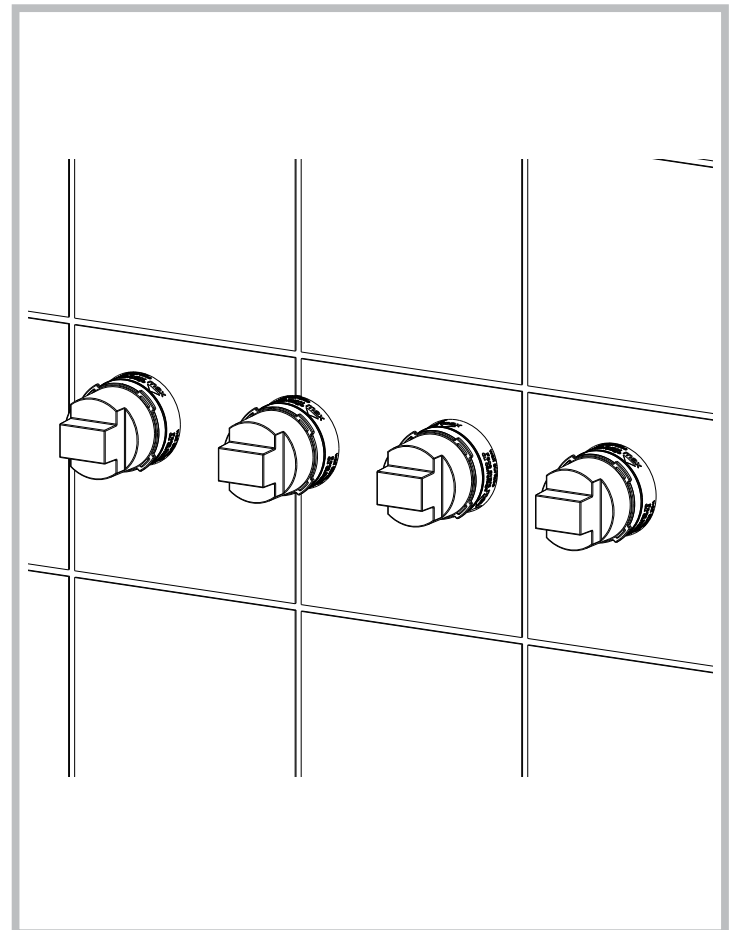
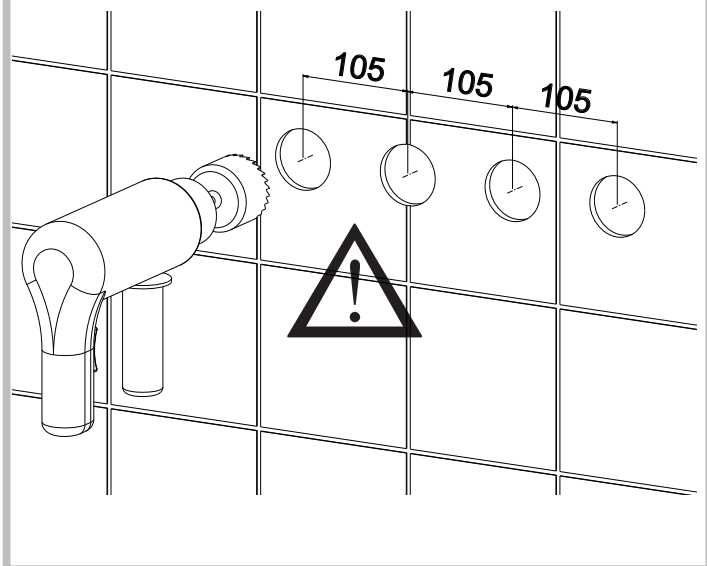
UPWARD EXIT





TILE CUTTING: ROUND HOLES

ØMIN 54 MM
ØMAX 60 MM



CLEANING - PULIZIA - NETTOYAGE - REINIGUNG - LIMPIEZA - REINIGING

	✓			✗		WARNING	
CR CHROME	WATER ✓	LIQUID SOAP ✓	SMOOTH CLOTH ✓	ABRASIVE SPONGE ✗	ACID/ABRASIVE DETERGENT ✗	Inoxidable electrolytic finish Finitura elettrolitica inossidabile Finition électrolytique inoxydable	Inoxidierbare elektrolytische Ausführung Acabado electrolítico inoxidable Inoxidable elektrolitische afwerking
GN BRUSHED NICKEL	WATER ✓	LIQUID SOAP ✓	SMOOTH CLOTH ✓	ABRASIVE SPONGE ✗	ACID/ABRASIVE DETERGENT ✗	Inoxidable electrolytic finish Finitura elettrolitica inossidabile Finition électrolytique inoxydable	Inoxidierbare elektrolytische Ausführung Acabado electrolítico inoxidable Inoxidable elektrolitische afwerking
BBP BRUSHED BRASS PVD	WATER ✓	LIQUID SOAP ✓	SMOOTH CLOTH ✓	ABRASIVE SPONGE ✗	ACID/ABRASIVE DETERGENT ✗	Inoxidable PVD finish Finitura PVD inossidabile Finition PVD inoxydable	Inoxidierbare PVD Ausführung Acabado PVD inoxidable Inoxidable PVD afwerking
BCP BRUSHED COPPER PVD	WATER ✓	LIQUID SOAP ✓	SMOOTH CLOTH ✓	ABRASIVE SPONGE ✗	ACID/ABRASIVE DETERGENT ✗	Inoxidable PVD finish Finitura PVD inossidabile Finition PVD inoxydable	Inoxidierbare PVD Ausführung Acabado PVD inoxidable Inoxidable PVD afwerking
MBP MATT BLACK PVD	WATER ✓	LIQUID SOAP ✓	SMOOTH CLOTH ✓	ABRASIVE SPONGE ✗	ACID/ABRASIVE DETERGENT ✗	Inoxidable PVD finish Finitura PVD inossidabile Finition PVD inoxydable	Inoxidierbare PVD Ausführung Acabado PVD inoxidable Inoxidable PVD afwerking
PBP POLISHED BLACK PVD	WATER ✓	LIQUID SOAP ✓	SMOOTH CLOTH ✓	ABRASIVE SPONGE ✗	ACID/ABRASIVE DETERGENT ✗	Inoxidable PVD finish Finitura PVD inossidabile Finition PVD inoxydable	Inoxidierbare PVD Ausführung Acabado PVD inoxidable Inoxidable PVD afwerking

**TERMS OF SALE AND WARRANTY
CONDIZIONI DI VENDITA E GARANZIA
CONDITIONS DE VENTE ET GARANTIE
CONDICIONES DE VENTA Y GARANTÍA
VERKAUFSBEDINGUNGEN UND GARANTIE
VERKOOP- EN GARANTIEVOORWAARDEN**

**NETHERLANDS
BELGIUM
LUXEMBOURG
UK AND IRELAND**

**ALL COUNTRIES
(EXCEPTED BENELUX, UK AND IRELAND)**

<https://www.hotbath.nl/garantie>

<https://hotbath.it/en/termsosale>



Hotbath B.V.
Nieuwland Parc 210
2952 DC Alblasserdam
Nederland
E info@hotbath.nl
W hotbath.nl



Hotbath Srl
Via Marco Polo 135/D
I-55049 Viareggio
Italy
E info@hotbath.it
W hotbath.it

hotbath
italian bathroomware